



Company \_\_\_\_\_ Contact \_\_\_\_\_

Address \_\_\_\_\_ Phone \_\_\_\_\_

City, State, Country \_\_\_\_\_ Fax \_\_\_\_\_

Zip Code \_\_\_\_\_ E-mail \_\_\_\_\_

Belt Scale Accuracy (%) \_\_\_\_\_ Material \_\_\_\_\_

Scale Type (Idlers) \_\_\_\_\_ Material Size \_\_\_\_\_

Conveyor Belt Width \_\_\_\_\_ Length \_\_\_\_\_ Belt Speed \_\_\_\_\_

Normal Belt Capacity \_\_\_\_\_ (TPH), Maximum Belt Capacity \_\_\_\_\_ (TPH)

Idler Spacing \_\_\_\_\_ Idler Foot Pad \_\_\_\_\_ ("A") (Center to Center)

Idler Angle ("B"): Flat  ; 20 deg.  ; 35 deg.  ; 45 deg.

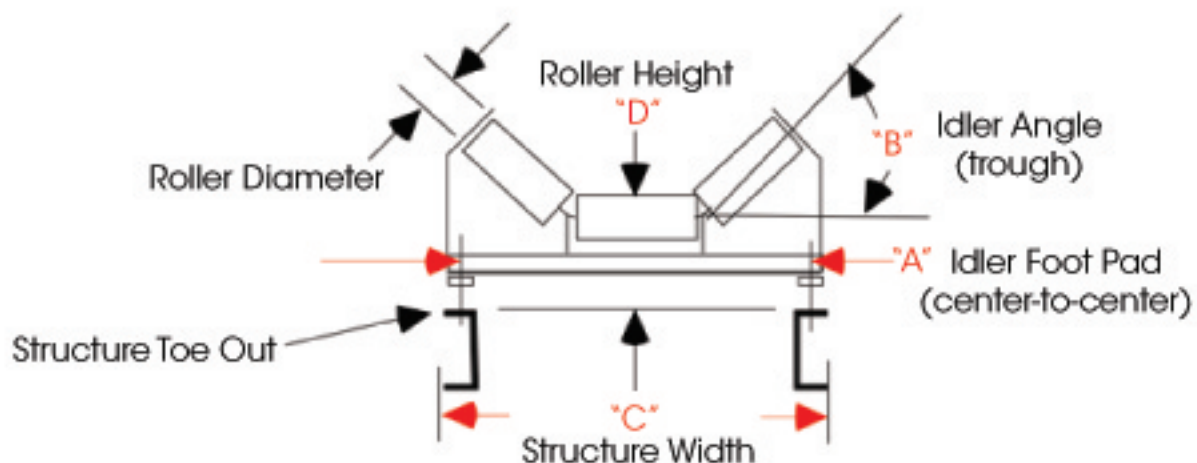
Idler Roller Diameter: 4in.  ; 5in.  ; 6in.  Roller Height ("D") \_\_\_\_\_

Conveyor Structure Width: \_\_\_\_\_ ("C" Outside) Incline Angle \_\_\_\_° Toe: In  ; Out

Take Up Type: Gravity  ; Screw  ; Hydraulic  ; None

Access Side: Left  ; Right  Access Width \_\_\_\_\_ Conveyor Covered Y  ; N

Note Any Unique Situations: \_\_\_\_\_



**Return Fax: 1-740-984-0554**